



EFA

Adjustable Blade Louvre

Description

The EFA type louvres are designed for covering wall openings to the exterior.

Properteis

The EFA type louvres are made from aluminium profiles. They prevent the entry of large particles in the air or animals, to the inside. They also prevent the entry of rain water to a certain extent.

The blades are made from curved profiles and are adjustable.

Materials

The frame and the blades are made from ETIAL-60 norm aluminium profiles.

Surface Treatment

After cleaning, the product is chromated and then painted with electrostatic powder paint to 20% gloss RAL 9010 (white) with a minimum thickness of 60µ. Other colours are available upon request.

Accessories

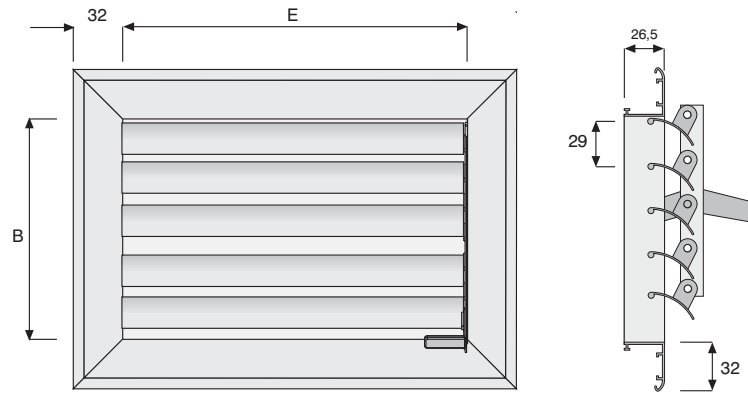
Wire Mesh

An expanded metal (aluminium) mesh, it prevents the entry of large flying particles and animals.

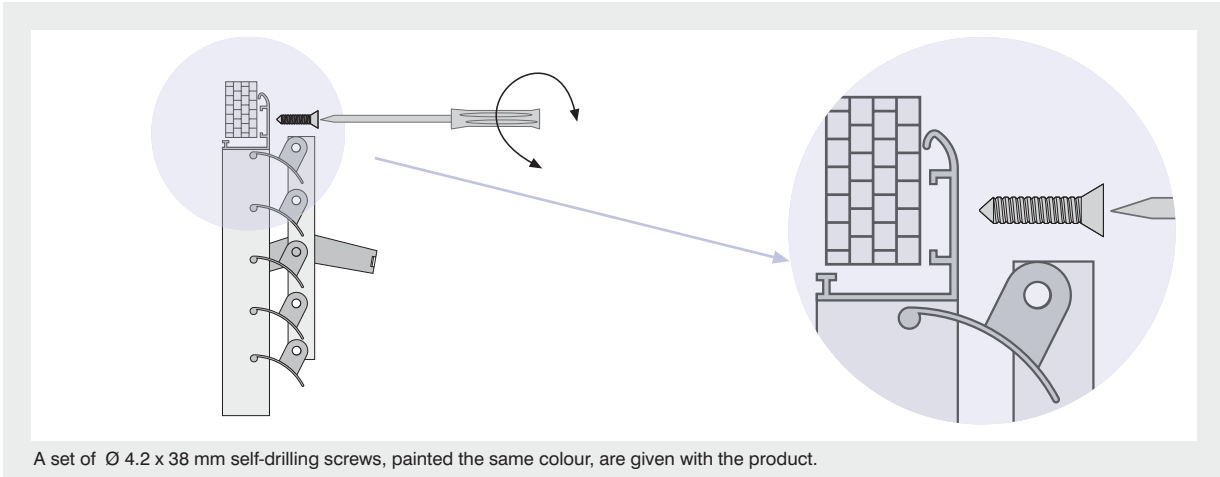
Dimensions

Standard Dimensions

E (mm)	B (mm)
150	150
200	200
250	250
300	300
350	350
400	400
450	450
500	500
550	550
600	600
650	650
700	700
750	750
800	800
850	850
900	900
950	950
1000	1000



Installation



A set of Ø 4.2 x 38 mm self-drilling screws, painted the same colour, are given with the product.

Specification Text

External louvre to protect the entry of large objects to the ducting system. The louvre will be made from ETIAL-60 norm aluminium profiles. The louvre blades will be adjustable and parallel-operated. The louvre will be cleaned and chromated, and painted with electrostatic powder paint to

the requested colour with a minimum thickness of 60 μ . As an option, an aluminium expanded mesh will be placed behind the frame to prevent large flying objects and animals to pass through the blades.

Order Code

Model		EFA.32.AA.10-300 x 250-9010	
Frame	32 mm	E x B (mm) Refer to page 2	Indiate RAL Colour Code
Accessories	AA...Without Accessories AB...With Mesh		
Installation	00...Without Screw Holes 10...With Screws	Standard Dimensions	Colour Code

E

EFA

**Adjustable Blade
Louvre**

KES KLİMA
INDUSTRIAL AND TRADE CO.

Uzay Çağı Caddesi No:10
06370 Östim/ANKARA
Phone: +90.312.385 76 57
Fax : +90.312.354 12 31
www.kesklima.com



TÜV Rheinland Group



DIN EN ISO 9001:2000
Zertifikat: 01 100 042854